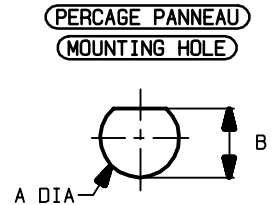
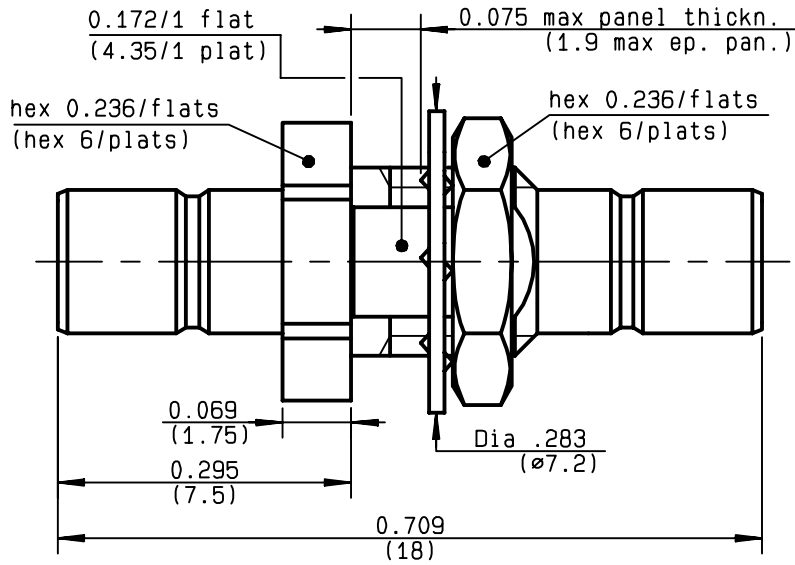


**BULKHEAD MALE-MALE ADAPTOR  
PACK. 100**

**R114.720.117  
SERIES SMB**



	MM		INCH	
	maxi	mini	maxi	mini
A	5	4.9	0.197	0.19
B	4.58	4.46	0.18	0.176

NOMINAL IMPEDANCE	<b>50</b> Ω
FREQUENCY RANGE	<b>0-4</b> GHz
TEMPERATURE RATING	<b>-65/+165</b> °C
V.S.W.R	<b>*1.3</b> + <b>.04</b> x F(GHz)Maxi
RF INSERTION LOSS	<b>0.03</b> √F(GHz) dB Maxi
VOLTAGE RATING	<b>500</b> Veff Maxi
DIELECTRIC WITHSTANDING VOLTAGE	<b>1000</b> Veff Mini
INSULATION RESISTANCE	<b>1000</b> MΩMini
HERMETIC SEAL	<b>NA</b> Atm.cm <sup>3</sup> /s
LEAKAGE (pressurized only)	<b>NA</b>
MECHANICAL DURABILITY	<b>500</b> Cycles
WEIGHT	<b>1.5</b> gr
SPECIFICATION	<b>1301-RNT 403 129/1</b>

CABLES :	
OTHERS CHARACTERISTICS	<b>* V.S.W.R: 1.1 max DC to 1 GHz</b>
CABLE RETENTION	<b>NA</b> N Mini
CENTER CONTACT RETENTION	
Axial force - mating end	<b>20</b> N Mini
Axial force - opposite end	<b>20</b> N Mini
Torque	<b>NA</b> cm.N Mini
RECOMMENDED TORQUES	
Mating	<b>NA</b> cm.N
Panel nut	<b>60</b> cm.N
Clamp nut	<b>NA</b> cm.N

CONNECTOR PARTS:	MATERIALS	FINISH	(all values are given ) in micrometers
BODY	BRASS	BBR 2	
OUTER CONTACT			
CENTER CONTACT	BRASS	GOLD 2.5 OVER COPPER 2.5	
INSULATOR	PTFE	-	
GASKET		-	
OTHERS PIECES	BRASS	BBR 2	

ISSUE	CREATION DATE	FILE PART-NUMBER
<b>9943A02</b>	<b>08/03/1996</b>	<b>95-0130-410</b>



LELEU

The information given here is subject to change without notice.  
Design changes may be in order to improve the product .

*Connect to the future*